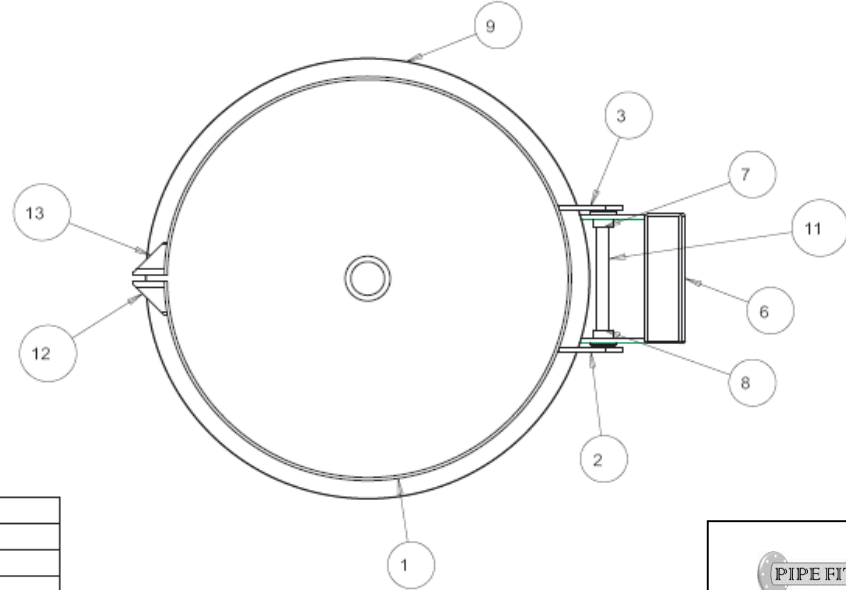
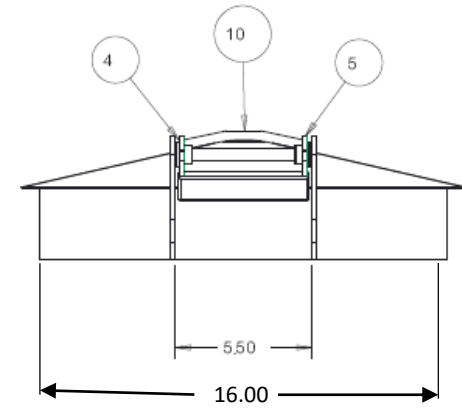
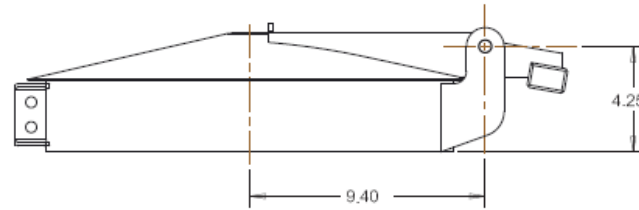


KRC16S – 16 inch Rain Cap, Stainless Steel



Material: 304 Stainless Steel

Item	Part Number
1	RC16_BAND_NEW
2	RC14-16_PIVOT_CON
3	RC14-16_PIVOT_CON
4	RC16_ARM_CON
5	RC16_ARM_CON
6	RC16_BLOCK_CON
7	HALF_INCH_BRONZE_SLEEVE_CON
8	HALF_INCH_BRONZE_SLEEVE_CON
9	16_INCH_SPUN_CON
10	RC14-16_ARM_BRIDGE_CON
11	RC14-24_PIVOT_SHAFT
12	3_INCH_BAND_CLAMP
13	3_INCH_BAND_CLAMP

PIPE FITTINGS DIRECT

2949 Venture Dr, Ste 100
Janesville, WI 53546
Phone: 608-371-9313

English

This content of this document is the property of Pipe Fittings Direct, Inc. The use of this content for any other purpose is prohibited. © 2011 Pipe Fittings Direct, Inc. All rights reserved.

MATERIAL
SEE COMPONENT DRAWINGS
FINISH
Mill
HEAT TREATMENT
NAME

Checker:	Date:
Engineer: B. BINKELE	Date: 10/27/11
Purchase:	Date:
Production:	Date:

SHEET	SIZE	DRAWING NUMBER	VER	CHG
1 OF 2		55-03-16 KRC16S		0