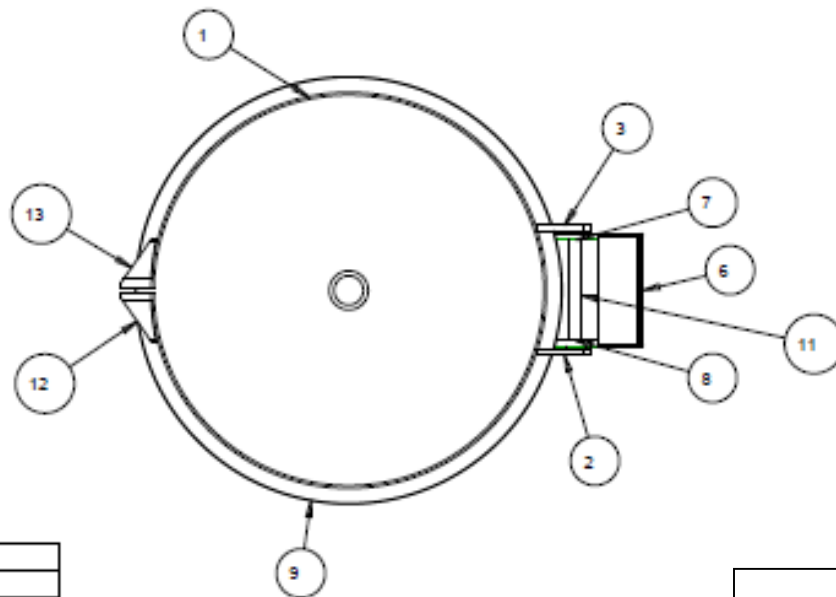
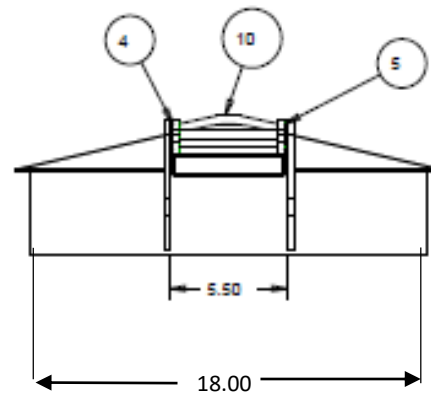
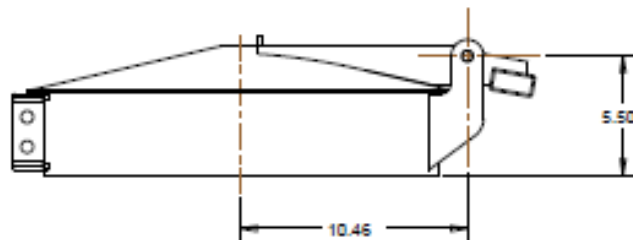


KRC18S – 18 inch Rain Cap, 304SS



SCALE 0.125

Material: 304 Stainless Steel

Item	Part Number
1	RC18_BAND_NEW
2	RC18-20_PIVOT_CON
3	RC18-20_PIVOT_CON
4	RC18_ARM_CON
5	RC18_ARM_CON
6	RC18_BLOCK_CON
7	HALF_INCH_BRONZE_SLEEVE_CON
8	HALF_INCH_BRONZE_SLEEVE_CON
9	18_INCH_SFUN_CON
10	RC18-24_ARM_BRIDGE_CON
11	RC14-24_PIVOT_SHAFT
12	4_INCH_BAND_CLAMP
13	4_INCH_BAND_CLAMP

<p>2949 Venture Dr, Ste 100 Janesville, WI 53546 Phone: 608-371-9313</p>		<p>English</p> <p>The contents of this document belong to Pipe Fittings Direct. The use of the contents of this document is for use by Pipe Fittings Direct only and the reproduction of this document without express permission is prohibited.</p> <p>Version: 0.000 Revised: 0.000</p> <p>Created: 12/19/11 0.0.0 12/19/11 0.0.0 12/19/11 0.0.0 12/19/11 0.0.0 12/19/11 0.0.0 12/19/11</p>		<p>MATERIAL</p> <p>SEE COMPONENT DRAWINGS</p>	
		<p>FINISH</p> <p>None</p>		<p>HEAT TREATMENT</p>	
<p>NAME</p> <p>18 INCH RAIN CAP</p>		<p>CHECKER</p> <p>DATE</p>		<p>VER</p> <p>CHG</p>	
<p>ENGINEER</p> <p>B. BAZZLE</p> <p>DATE</p> <p>12/19/11</p>		<p>PRODUCTION</p> <p>DATE</p>		<p>SHEET</p> <p>SIZE</p>	
<p>DRAWING NUMBER</p> <p>KRC18S</p>				<p>1</p> <p>D</p>	